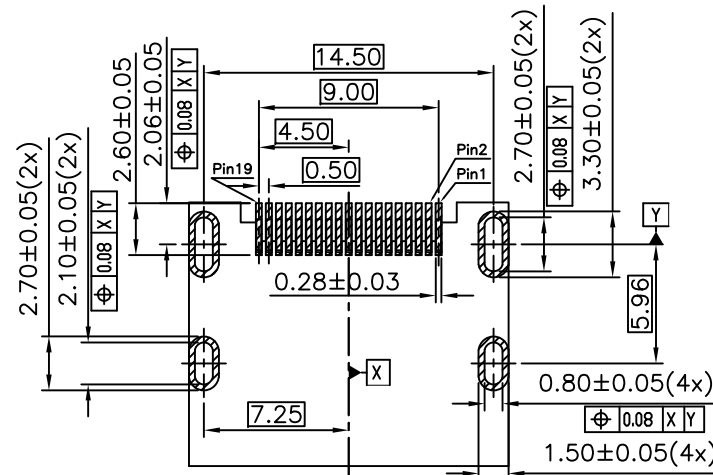
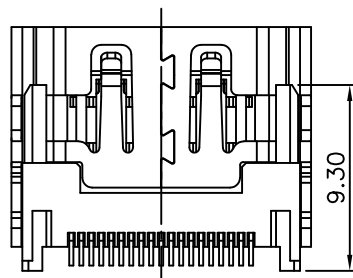
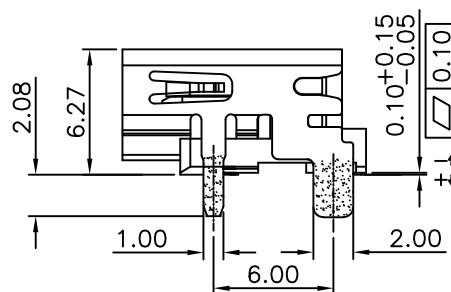
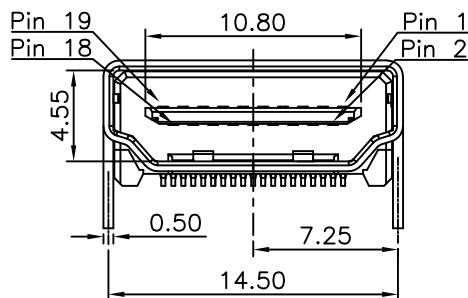
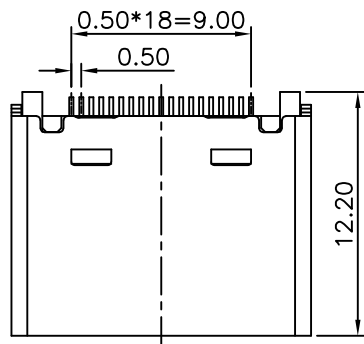


1. MATERIAL:
 HOUSING--HIGH TEMP THERMAL PLASTIC, UL 94V-0, BLACK;
 TERMINAL--COPPER ALLOY;
 SHELL--COPPER ALLOY;
2. PLATING:
 TERMINAL--GOLD PLATING SEE TABLE ON CONTACT AREA
 GOLD FLASH ON SOLDERTAIL AREA
 ALL OVER 1.27 MICRON MIN. NICKEL PLATING;
 SHELL--GOLD PLATING OVER ALL;

Ordering Information

H160- F M10 - 1 X X B X - X X

Shell	Plastic material	Electroplating	Packing	Environmental protection
1=Iron Alloy Ni Plating	A=PBT	0=5u"/Tin	B=TUBE	H=Halogen
2=Iron Alloy Au Plating	B=PA9T	1=1u"/Tin	D=TRAY REEL	R=ROHS
3=Copper Alloy Ni Plating	E=LCP	2=3u"/Tin	E=TAPE REEL+MYLAR	
4=Copper Alloy Au Plating		3=5u"/Tin		
5=SUS NI Plating		4=10u"/Tin		
		5=15u"/Tin		
		6=30u"/Tin		



RECOMMENDED P.C.BOARD LAYOUT (TOP VIEW) PAD AREA
 TOLERANCES UNLESS OTHERWISE SPEC.±0.05 KEEP OUT AREA

HULYN

深圳惠興力電子有限公司
 SHEN ZHEN HUILY ELECTRONICS CO.,LTD.

A0	RELEASED	Peng	29/11-19
REV	DESCRIPTION.	APPD.	Date

FILE NO : H160(Series)	TITLE 圖名	HDMI SMT 无弹 (模顶卷装)		UNIT 單位	mm inch
TOLERANCE(公差): 0.000 mm ± 0.10 mm 0.00 mm ± 0.25 mm 0.0 mm ± 0.30 mm	PART NO. 料號	H160-FM10-13EB0-DR		SCALE 比例	1:1
	DRAWN BY 製圖	Peng	DATE 日期	2019-11-29	REV. 版本
	CHECKED BY 審核	Zhu	DATE 日期	2019-11-29	