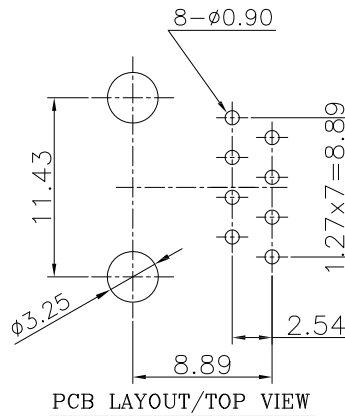
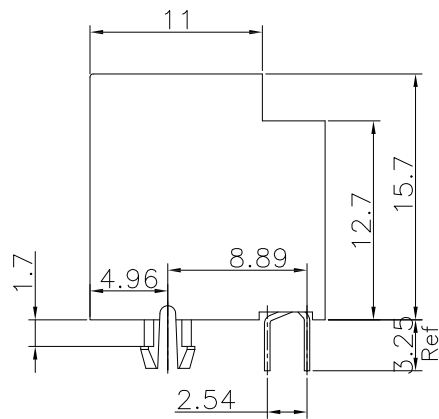
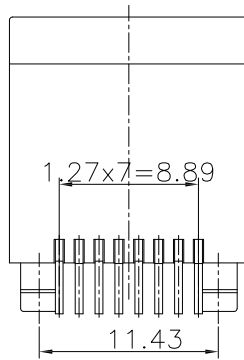
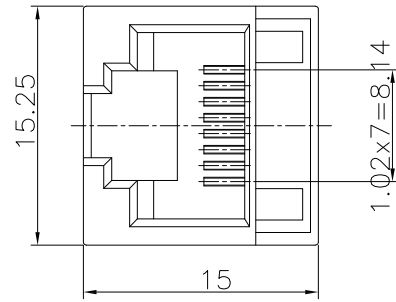


MECHANICAL:



SPECIFICATION NOTES:

ELECTRICAL:

1. VOLTAGE RATING: 125 VAC RMS
2. CURRENT RATING: 1.5 AMP
3. CONTACT RESISTANCE: 30mΩ MAX.
4. INSULATION RESISTANCE: 500MΩMIN. AT 500V DC.
5. DIELECTRIC STRENGTH: 1000 VAC 50Hz 1MINUTE

MECHANICAL:

1. HOUSING/INSERT MATERIAL: THERMOPLASTIC, PBT UL94V-0,COLOR BLACK
2. CONTACT MATERIAL:PHOSPHOR BRONZE T=0.35mm
3. PLATING:GOLD PLATING OVER NICKEL, PLATED NICKEL 30-50". SN 100-120U. GOLD PLATED ON CONTACT AREA 1U/3U/6U/15U/30U"
4. OPERATING LIFE:750 CYCLES MIN.

ENVIRONMENTAL:

1. STORAGE:-40° C TO +85° C
2. OPERATION: 0° C TO 75° C

Part Number:

HR5229-1188N X 1 B-1 R

Electroplating:
1=1U金 3=3U金
4=6U金 5=15U金
6=30U金 7=50U金

Material:
1=PBT 2=PA46
3=PA66 4=PA9T 5=LCP

Colour:
B=黑色 G=绿色 R=红色 Y=黄色
V=紫色 W=白色 H=灰色 L=蓝色

environmental protection:
R=Rohs Free
H=Halogen Free

Packing:
1=Tray
2=Tape Reel

HULYN

深圳惠興力電子有限公司
SHEN ZHEN HUILY ELECTRONICS CO.,LTD.

FILE NO :	HR5229(Series)	TITLE	RJ45 Vertical,1X1 Port,Tht	UNIT	mm
TOLERANCE(公差):	0.000 mm ± 0.10 mm	PART NO.	HR5229 -1188N11B-1R	SCALE	1:1
	0.00 mm ± 0.25 mm	DRAWN BY	Peng	REV.	A.0
	0.0 mm ± 0.30 mm	CHECKED BY	Zhu	DATE	2019-12-20
A0	RELEASED	APPD.	Peng	DATE	2019-12-20
REV	DESCRIPTION.	Date			

DATE	2019-12-19	DATE	2019-12-20
DATE	2019-12-19	DATE	2019-12-20