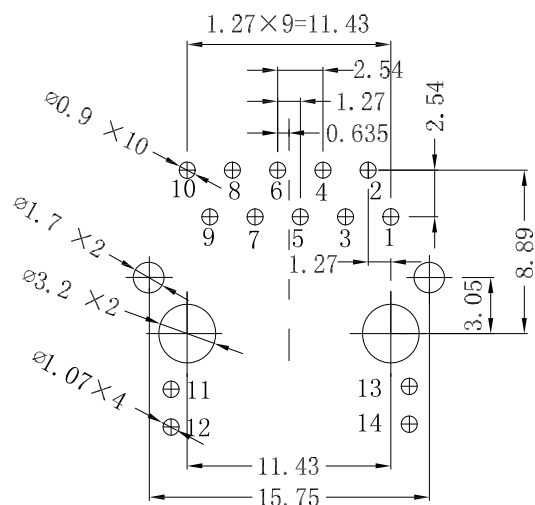
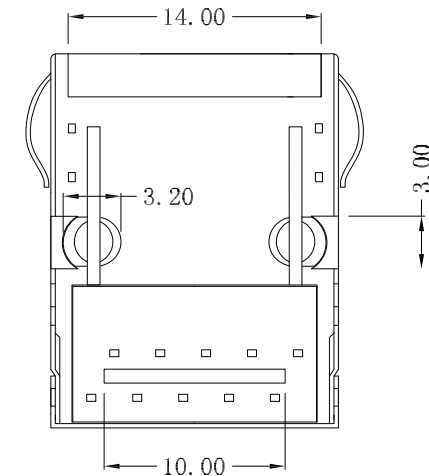
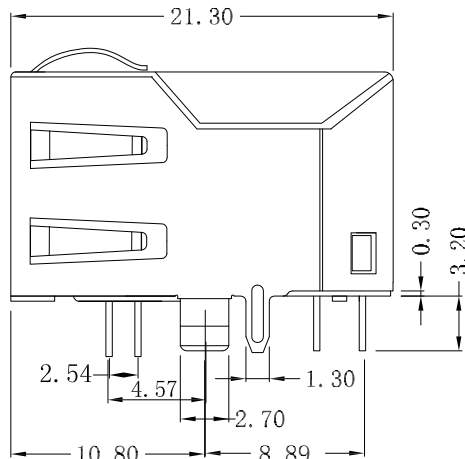
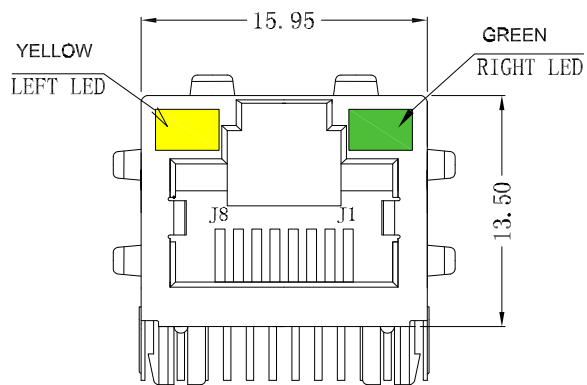


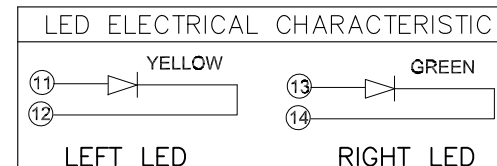
MECHANICAL:



SUGGESTED PCB LAYOUT(TOP VIEW)

Metal Shell : Copper Alloy, Finish: 30u" Nickel  
 Housing : Thermoplastic,PBT,UL 94V-0,Black  
 Insert : Thermoplastic,PBT,UL 94V-0,Black  
 Contact Terminal/phosphor Bronze  
 6u" Gold on Contact Area, 100u" Tin on Solder,  
 Both over 50u" Nickel Under-Plated  
 Coil Base : Phenolic,PBT,UL 94V-0,Black  
 Terminal/Copper Alloy T=0.35mm Thickness

Meets or exceeds IEEE 802.3 standard for 10/100/1000 Base-TX  
 350uH minimum OCL with 8mA Bias current  
 Available with or without LEDs  
 Minimum 1500Vrms isolation per IEEE802.3 requirement  
 Operating temperature 0°C to +70°C  
 Storage temperature -40°C to +85°C



Standard LED	Wavelength	Forward V (Min/Max)	LED ELECTRICAL CHARACTERISTIC	
			Forward A	Type
Green	568nm	1.8V/2.8V	20mA	squareness
Yellow	585nm	1.8V/2.8V	20mA	squareness
Orange	610nm	1.8V/2.8V	20mA	squareness

**HULYN**

深圳惠興力電子有限公司  
 SHEN ZHEN HUILY ELECTRONICS CO.,LTD.

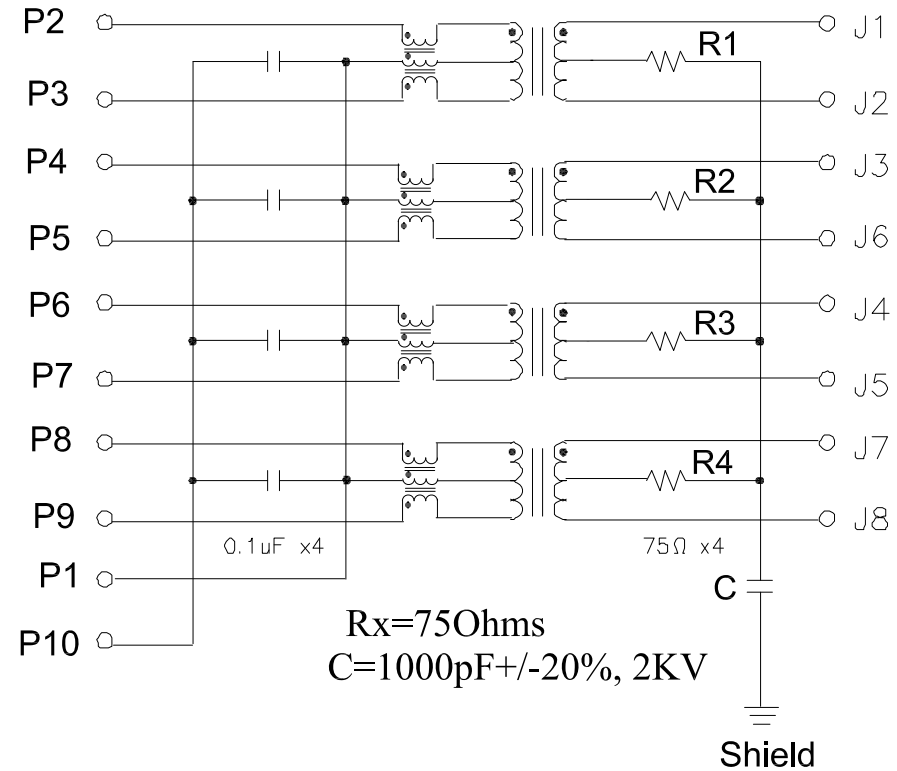
FILE NO :	HRC1( Series)	TITLE	RJ45 Connector With Transformer 1000Base Tab-up 1x1 Port with LED	UNIT	mm
TOLERANCE(公差):	0.000 mm ± 0.075 mm 0.00 mm ± 0.15 mm 0.0 mm ± 0.25 mm	PART NO.	HRC1-1A21G13-3A1BA-1R	SCALE	1:1
A0	RELEASED	彭	02/08-17	REV.	A.0
REV	DESCRIPTION.	APPD.	Date	CHECKED BY	Zhu

DATE	2017-08-02	DATE	2017-08-02	DATE	2017-08-02
DATE	2017-08-02	DATE	2017-08-02	DATE	2017-08-02

ELECTRICAL SPECIFICATIONS@25°C UNLESS OTHERWISE NOTED:

- 1.Turn Ratio(+/-2%):1CT:1CT
- 2.Inductance OCL:  
350uH Min @100KHz 0.1V DC BIAS 8mA
- 3.Insertion Loss:  
-1.0dB Max @1.0-100MHz
- 4.Return Loss:  
-20dB Min @1-30MHz  
-16dB Min @30-60MHz  
-12dB Min @60-80MHz
- 5.Cross talk:  
-40dB Min @1-30MHz  
-35dB Min @30-80MHz
- 6.Common Mode Rejection:  
-35dB Min @1-100MHz  
-20dB Min @50-150MHz
- 7.HIPOT TEST:1500Vrms 1mA.Max

SCHEMATICS:



**HULYN**

深圳惠興力電子有限公司  
SHEN ZHEN HUILY ELECTRONICS CO.,LTD.

A0	RELEASED	Peng	02/08-17
REV	DESCRIPTION.	APPD.	Date

FILE NO : HRC1( Series)		TITLE 圖名		RJ45 Connector With Transformer 1000Base Tab-up 1x1 Port with LED		UNIT 單位	mm inch
TOLERANCE(公差): 0.000 mm ± 0.075 mm 0.00 mm ± 0.15 mm 0.0 mm ± 0.25 mm		PART NO. 料號		HRC1-1A21G13-3A1BA-1R		SCALE 比例	1:1
		DRAWN BY 製圖		Peng	DATE 日期	2017-08-02	REV. 版本
		CHECKED BY 審核		Zhu	DATE 日期	2017-08-02	