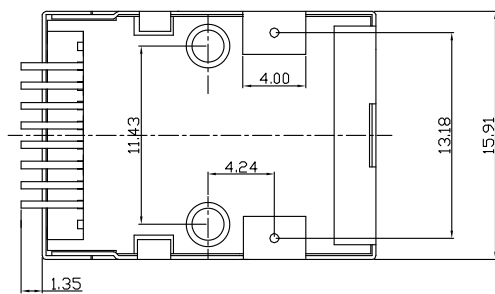
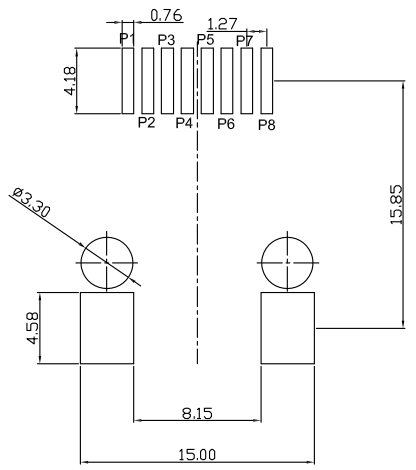
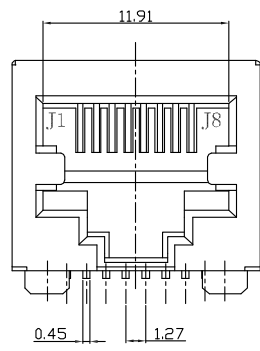
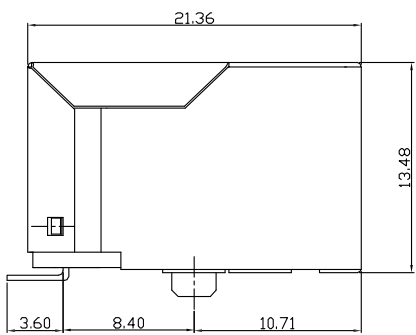


MECHANICAL:



Metal Shell : Copper Alloy, Finish: 30u" Nickel
 Housing : Thermoplastic, LCP, UL 94V-0, Black
 Insert : Thermoplastic, LCP, UL 94V-0, Black
 Contact Terminal/phosphor Bronze
 6u" Gold on Contact Area, 100u" Tin on Solder,
 Both over 50u" Nickel Under-Plated
 Coil Base : Phenolic, LCP, UL 94V-0, Black
 Terminal/Copper Alloy T=0.35mm Thickness

Meets or exceeds IEEE 802.3 standard for 10/100 Base-TX
 350uH minimum OCL with 8mA Bias current
 Available with or without LEDs
 Minimum 1500Vrms isolation per IEEE802.3 requirement
 Operating temperature 0°C to +70°C
 Storage temperature -40°C to +85°C

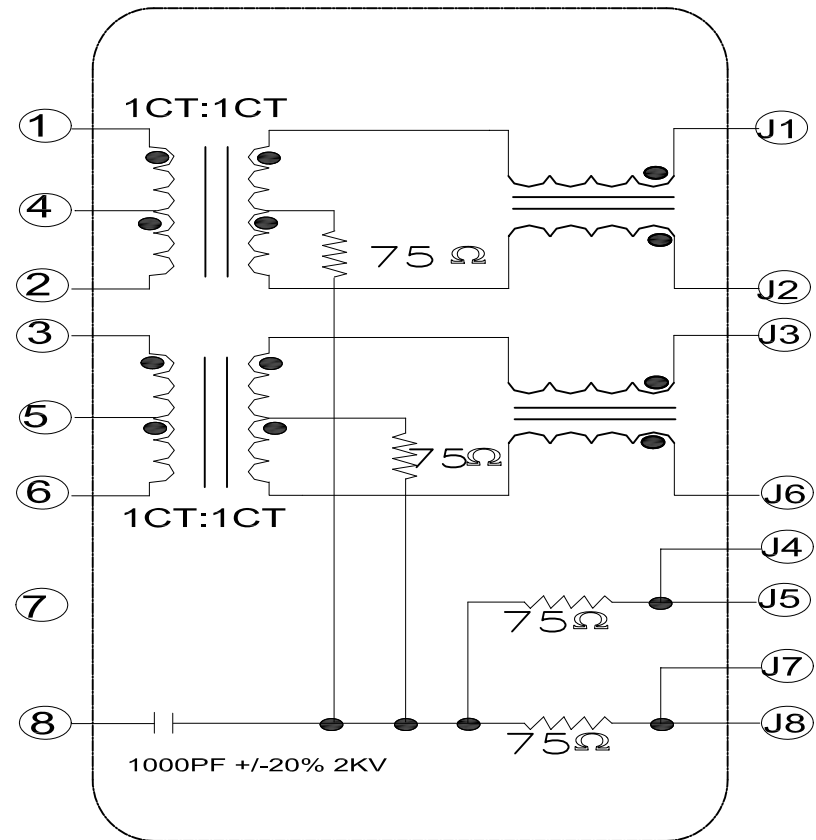
P. C. B RECOMMENDED HOLE LAYOUT SEEN FROM COMPONENT SIDE.
 ALL CENTERLINE DIMENSIONS ARE BASIC

<h1>HULYN</h1>		深圳惠興力電子有限公司 SHEN ZHEN HUILY ELECTRONICS CO.,LTD.							
		FILE NO : HRSK1(Series)	TITLE 圖名	RJ45 Connector With Transformer 100Base Tab-down 1x1 Port SMT	UNIT 單位	mm inch			
TOLERANCE(公差):		PART NO. 料號	HRSK1-1BF09-36BC-2R		SCALE 比例	1:1			
A0	RELEASED	Peng	31/03-20	DRAWN BY 製圖	Peng	DATE 日期	2020-03-31	REV. 版本	A.0
REV	DESCRIPTION.	APPD.	Date	CHECKED BY 審核	Zhu	DATE 日期	2020-03-31		

ELECTRICAL SPECIFICATIONS@25°C UNLESS OTHERWISE NOTED:

- 1.Turn Ratio(+/-2%):1CT:1CT
- 2.Inductance OCL:
350uH Min @100KHz 0.1V DC BIAS 8mA
- 3.Insertion Loss:
-1.0dB Max @1.0-100MHz
- 4.Return Loss:
-20dB Min @1-10MHz
-16dB Min @10-30MHz
-12dB Min @30-60MHz
-10dB Min @60-100MHz
- 5.Cross talk:
-40dB Min @1-30MHz
-35dB Min @30-60MHz
-30dB Min @60-100MHz
- 6.Common Mode Rejection:
-35dB Min @1-100MHz
-20dB Min @50-150MHz
- 7.HIPOT TEST:1500Vrms 1mA.Max

SCHEMATICS :



HULYN

深圳惠興力電子有限公司
SHEN ZHEN HUILY ELECTRONICS CO.,LTD.

A0	RELEASED	Peng	31/03-20
REV	DESCRIPTION.	APPD.	Date

FILE NO : HRSK1(Series)		TITLE 圖名		RJ45 Connector With Transformer 100Base Tab-down 1x1 Port SMT		UNIT 單位	mm inch
TOLERANCE(公差): 0.000 mm ± 0.10 mm 0.00 mm ± 0.25 mm 0.0 mm ± 0.30 mm		PART NO. 料號		HRSK1-1BF09-36BC-2R		SCALE 比例	1:1
		DRAWN BY 製圖		Peng	DATE 日期	2020-03-31	REV. 版本
		CHECKED BY 審核		Zhu	DATE 日期	2020-03-31	A.0