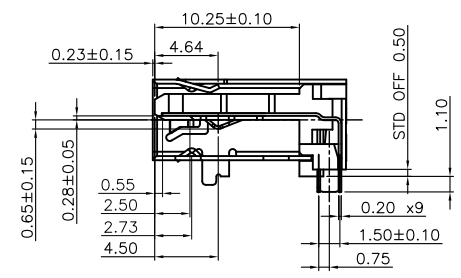
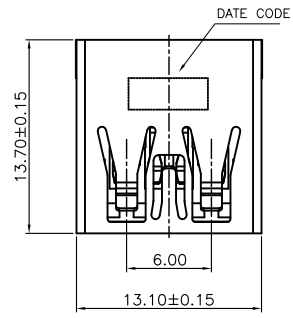
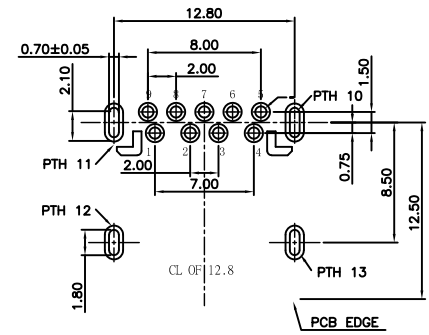
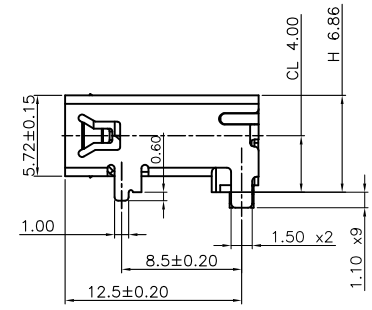
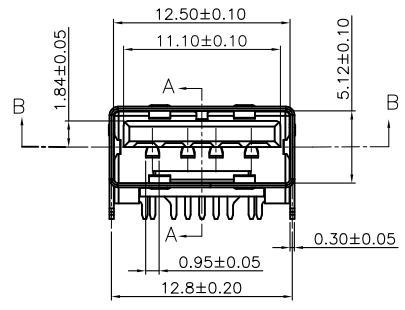


NOTE:  
 1.MATERIAL:  
 1.1 INSULATOR:HIGH TEMPERATURE PLASTIC UL 94 V-0;BLUE  
 1.2 CONTACT:COPPER ALLOY(T=0.20mm)  
 1.3 SHELL:SUS201(T=0.30mm)  
 2.ELECTRICAL CHARACTERISTICS:  
 2.1 CONTACTRESISTANCE:30mΩ Max  
 2.2 CONTACT CURRENT RATING:1.5A  
 2.3 DIELECTRIC WITHSTANDING VOLTAGE:500 V R.M.S.  
 2.4 INSULATION RESISTANCE 100 MEGOHMS Min  
 2.5 OPERATING TEMPERATURE:-40°C ~ 85°C  
 3 MECHANICAL CHARACTERISTICS:  
 3.1 MATING FORCE:35 N Max  
 3.2 UNMATED FORCE:10 N Min INITIAL; 8 N Min AFTER TEST  
 3.3 DURABILITY:5,000 CYCLES  
 4.PLATING  
 4.1 TERMINAL CONTACT:(SEE TAB) GOLD PLATING ALL OVER 50u" MIN NICKEL AND 80u"MIN Matte Tin ALL OVER 50u" MIN NICKEL IN SOLDER AREA  
 4.2 SHELL:50u"MIN. NICKEL ALL OVER  
 5.PART NUMBER:

H181-12X30-X3A  
 1: G/F 1: Tray  
 2: 5u" 2: Tape reel  
 3: 10u"  
 4: 15u"  
 5: 30u"

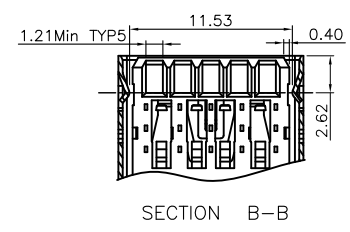
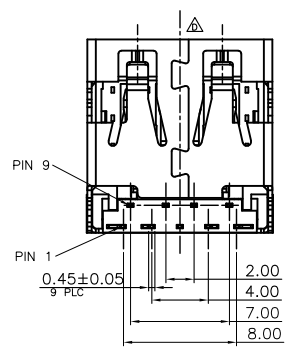


SECTION A-A



TOLERANCE: ±0.05, THICKNESS: 1.2mm  
 RECOMMENDED PCB LAYOUT  
 (TOP VIEW)  
 KEEP OUT AREA

Pin #	SIGNAL NAME	DESCRIPTION	MATING SEQUENCE
1	VBUS	POWER	SECOND
2	D-	USB 2.0 DIFFERENTIAL PAIR	THIRD
3	D+	DIFFERENTIAL PAIR	THIRD
4	GND	GROUND FOR POWER RETURN	SECOND
5	StdA_SSRX-	SUPER SPEED RECEIVER DIFFERENTIAL PAIR	LAST
6	StdA_SSRX+	DIFFERENTIAL PAIR	
7	GND_DRAIN	GROUND FOR SIGNAL RETURN	LAST
8	StdA_SSTX-	SUPER SPEED TRANSMITTER DIFFERENTIAL PAIR	
9	StdA_SSTX+	DIFFERENTIAL PAIR	LAST
Shell	Shield	CONNECTOR METAL SHELL	



SECTION B-B

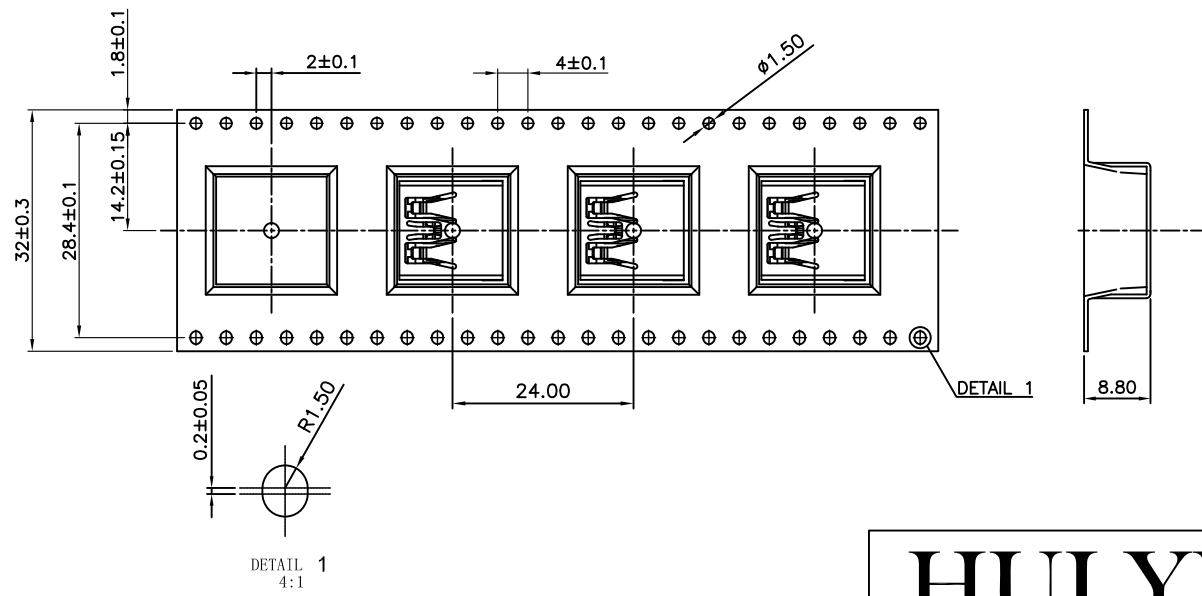
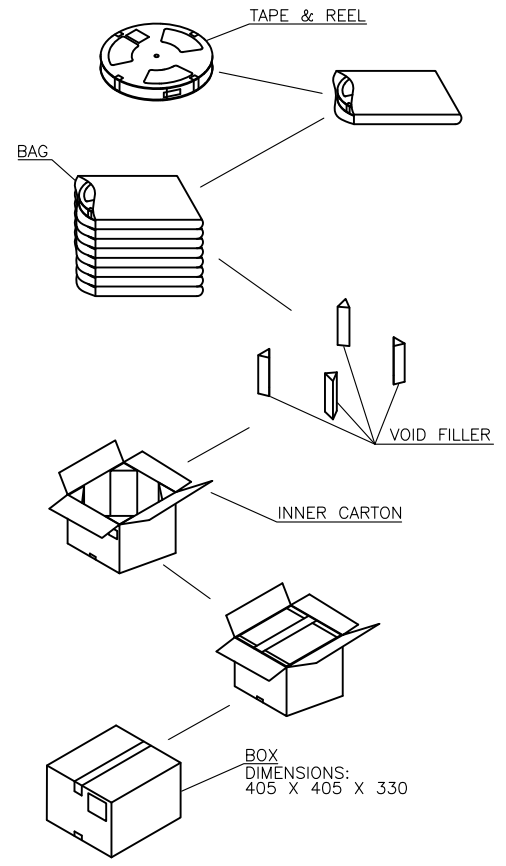
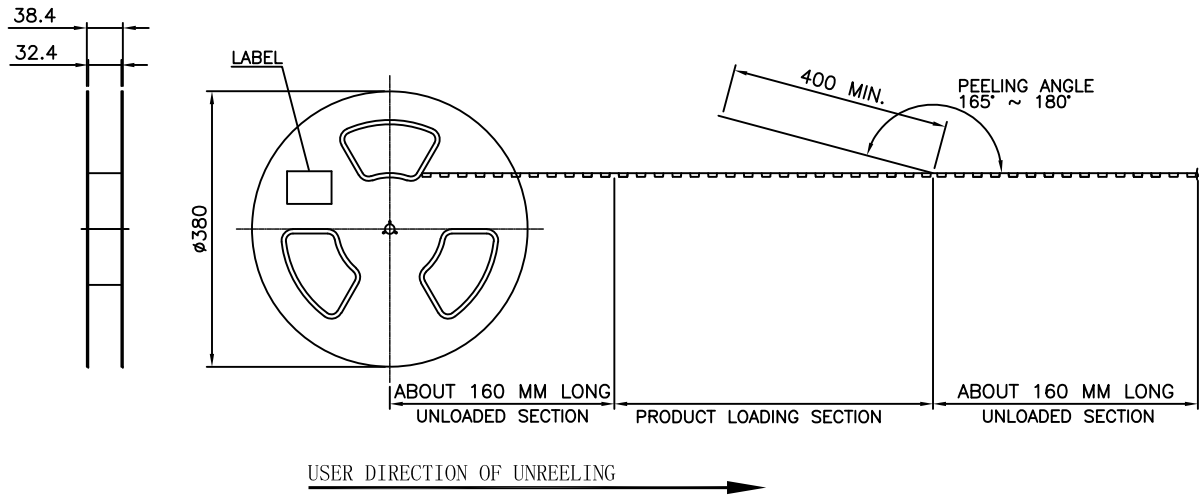
**HULYN** 深圳惠興力電子有限公司  
 SHEN ZHEN HUILY ELECTRONICS CO.,LTD.

A0	RELEASED	Peng	02/04-20
REV	DESCRIPTION.	APPD.	Date

FILE NO : H181( Series)	TITLE 圖名	USB 3.0 AF STD CL4.00mm H6.86 L13.7mm DIP TYPE CONN		UNIT 單位	mm inch
TOLERANCE(公差): 0.000 mm ± 0.10 mm 0.00 mm ± 0.25 mm 0.0 mm ± 0.30 mm	PART NO. 料號	H181-12X30-23A		SCALE 比例	1:1
	DRAWN BY 製圖	Peng	DATE 日期	2020-04-02	REV. 版本
	CHECKED BY 審核	Zhu	DATE 日期	2020-04-02	

L K J I H

3  
2  
1



400	8	3200 PCS	-- KG	-- KG
PCS/REEL	REELS/CARTON	QUANTITY	GROSS WEIGHT	NET WEIGHT

**HULYN** 深圳惠興力電子有限公司  
SHEN ZHEN HUILY ELECTRONICS CO.,LTD.

FILE NO : H181( Series)	TITLE 圖名	USB 3.0 AF STD CL4.00mm H6.86 L13.7mm DIP TYPE CONN		UNIT 單位	mm inch	
TOLERANCE(公差): 0.000 mm ± 0.10 mm 0.00 mm ± 0.25 mm 0.0 mm ± 0.30 mm	PART NO. 料號	H181-12X30-23A		SCALE 比例	1:1	
	DRAWN BY 製圖	Peng	DATE 日期	2020-04-02	REV. 版本	A.0
	CHECKED BY 審核	Zhu	DATE 日期	2020-04-02		

A0	RELEASED	Peng	02/04-20
REV	DESCRIPTION.	APPD.	Date

HTTP://www.huilyn.com

6