

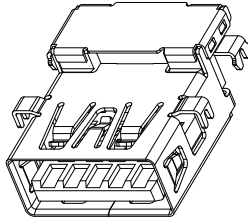
NOTE:

- MATERIAL:
  - INSULATOR: HIGH TEMPERATURE PLASTIC UL 94 V-0; BLUE
  - CONTACT: COPPER ALLOY (T=0.20mm)
  - SHELL: SUS201 (T=0.20mm)
- ELECTRICAL CHARACTERISTICS:
  - CONTACT RESISTANCE: 30mΩ Max
  - CONTACT CURRENT RATING: 1.5A
  - DIELECTRIC WITHSTANDING VOLTAGE: 500 V R. M. S.
  - INSULATION RESISTANCE 100 MEGOHMS Min
  - OPERATING TEMPERATURE: -40° C ~ 85° C
- MECHANICAL CHARACTERISTICS:
  - MATING FORCE: 35 N Max
  - UNMATED FORCE: 10 N Min INITIAL; 8 N Min AFTER TEST
  - DURABILITY: 5,000 CYCLES
- PLATING
  - TERMINAL CONTACT: (SEE P/N) GOLD PLATING ALL OVER 50u" MIN NICKEL AND 80u" MIN MATTE Tin ALL OVER 50u" MIN NICKEL ON SOLDER AREA
  - SHELL: 50u" MIN. NICKEL ALL OVER

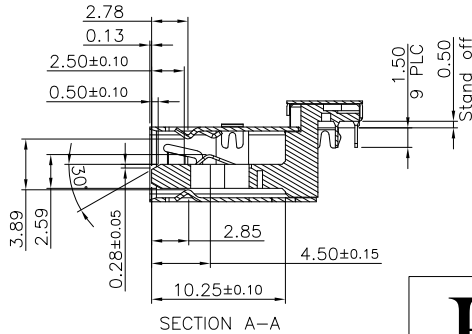
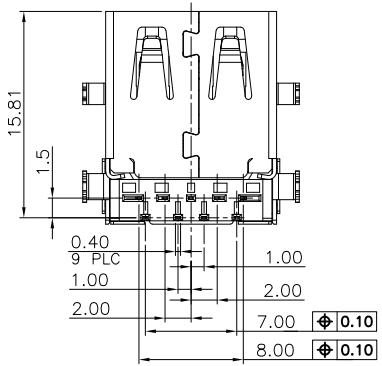
N5. Part number rule: H181-32X72-23A

1: G/F 2: 5u" 3: 10u" 4: 15u" 5: 30u"

1: Tray 2: Tape reel



TOLERANCE: ±0.05, THICKNESS: 1.2mm  
 RECOMMENDED PCB LAYOUT  
 (TOP VIEW)  
 KEEP OUT AREA

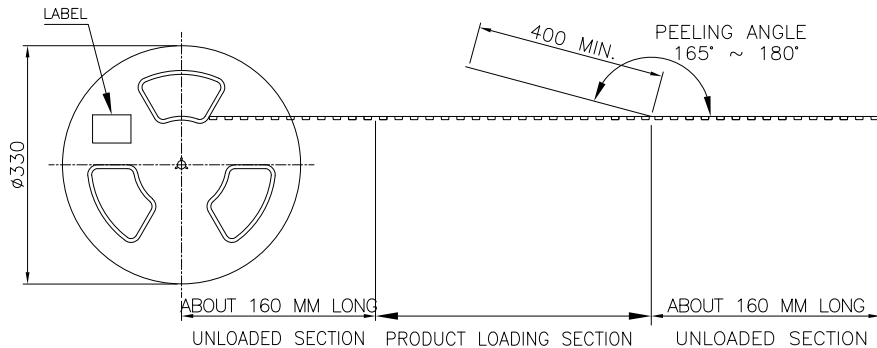
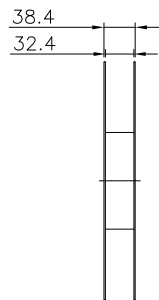


No.	Part Name	Q'TY	Material	Finish
1	housing	1	PA9T	COLOR:Blue
2	Terminal	1	C5210-EH T=0.20	Au:See Note Ni:50u"Min Matte Tin:80u"Min
3	Shell	1	SUS201 T=0.30	Black Ni:50u" Min
4	Shell	1	SUS201 T=0.20	Ni:50 u" Min

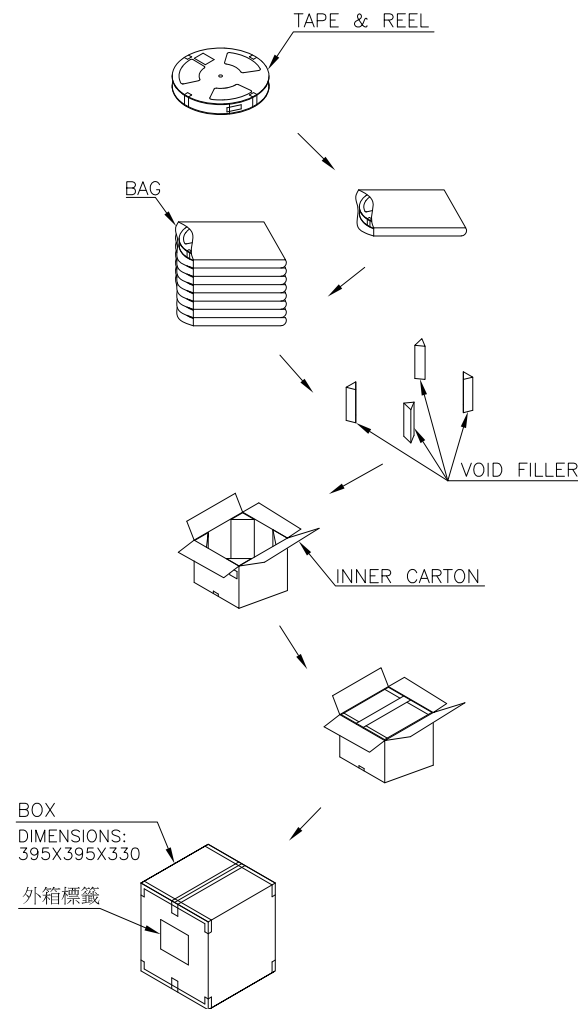
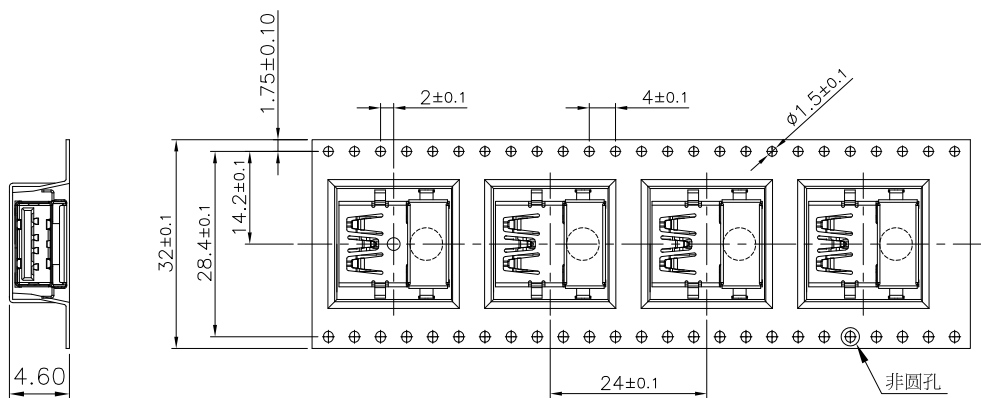
**HULYN** 深圳惠興力電子有限公司  
 SHEN ZHEN HUILY ELECTRONICS CO.,LTD.

FILE NO : H181( Series)	TITLE 圖名	USB3.0 A F RVS CH-2.80mm L16.30mm Conn		UNIT 單位	mm inch
TOLERANCE(公差): 0.000 mm ± 0.075 mm 0.00 mm ± 0.15 mm 0.0 mm ± 0.25 mm	PART NO. 料號	H181-32X72-23A		SCALE 比例	1:1
	DRAWN BY 製圖	Peng	DATE 日期	2015-08-02	REV. 版本
	CHECKED BY 審核	Zhu	DATE 日期	2015-08-02	A.0

A0	RELEASED	Peng	02/08-15
REV	DESCRIPTION.	APPD.	Date



USER DIRECTION OF UNREELING



- NOTE:
- MATERIAL:  
 BOX: FIBREBOARD, CORRUGATED, DOUBLE WALL.  
 TAPE: POLYSTYRENES, HEAT-RESISTANT TEMPERATURE: 120°C, BLACK COLOR.  
 REEL: POLYSTYRENES, HEAT-RESISTANT TEMPERATURE: 70°C, BLUE COLOR.  
 BAG: POLYETHYLENE, HEAT-RESISTANT TEMPERATURE: 100°C.
  - PEELING STRENGTH: 0.1 ~ 1.3 N (10 ~ 130 GRAMS)
  - PEELING SPEED: 300 mm/min.
  - EACH BAG SHALL BE INCLUDED DESICCANT.

400	8	3200 PCS
PCS/REEL	REELS/CARTON	QUANTITY

HULYN

深圳惠興力電子有限公司  
SHEN ZHEN HUILY ELECTRONICS CO.,LTD.

FILE NO : H181( Series)		TITLE		USB3.0 A F RVS CH-2.80mm L16.30mm Conn		UNIT		mm	
TOLERANCE(公差): 0.000 mm ± 0.075 mm 0.00 mm ± 0.15 mm 0.0 mm ± 0.25 mm		PART NO.		H181-32X72-23A		SCALE		1:1	
		DRAWN BY		Peng		DATE		2015-08-02	
CHECKED BY		Zhu		DATE		2015-08-02			

A0	RELEASED	Peng	02/08-15
REV	DESCRIPTION.	APPD.	Date