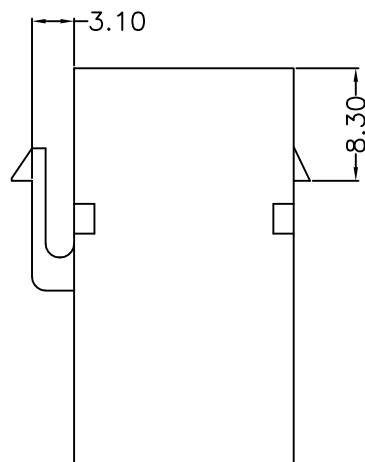
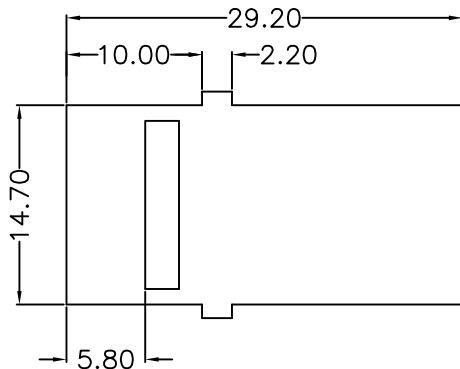
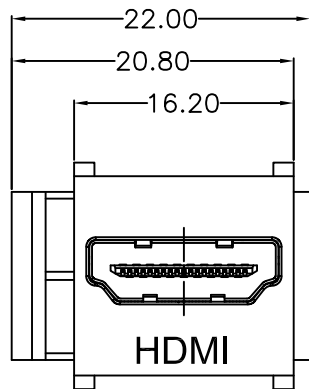


MECHANICAL :



SPECIFICATIONS:

1. ELECTRICAL CHARACTERISTICS
 - 1-1. CURRENT RATING: 0.5 AMP
 - 1-2. VOLTAGE RATING: 40 V
 - 1-3. CONTACT RESISTANCE: 30MILLIOHMS MAX
 - 1-4. INSULATION RESISTANCE:100M MIN. @500V DC
 - 1-5. DIELECTRIC WITHSTANDING VOLTAGE: 500V AC FOR 1 MINUTE
2. MECHANICAL CHARACTERISTICS:
 - 2-1. INSERTION FORCE : 4.5KGF MAX.
 - 2-2. WITHDRAWING FORCE : 1KGF ~ 4KGF.
3. LIFE TEST: 10000 CYCLES
4. OPERATING TEMPERATURE: -25°C TO +85°C

3	SHELL	SPCC	T=0.50	Ni 80U"
3	TERMINAL	C5191	T=0.25	Au:G/F Ni: 40u" Sn:100u"
2	HOUSING	LCP	—	Black
1	HOUSING	ABS	—	White
NO.	PART NAME	MATERIAL	THICK	FINISH

HULYN

深圳惠興力電子有限公司
SHEN ZHEN HUILY ELECTRONICS CO.,LTD.

A0	RELEASED	Peng	08/12-20
REV	DESCRIPTION.	APPD.	Date

FILE NO : HZ(Series)		TITLE 圖名		KEYSTONE HDMI转接头 AF TO AF		UNIT 單位	mm inch
TOLERANCE(公差): 0.000 mm ± 0.10 mm 0.00 mm ± 0.25 mm 0.0 mm ± 0.30 mm		PART NO. 料號		HZ-HD-AFAF-014		SCALE 比例	1:1
DRAWN BY 製圖		Peng	DATE 日期	2020-12-08	REV. 版本	A.0	
CHECKED BY 審核		Zhu	DATE 日期	2020-12-08			