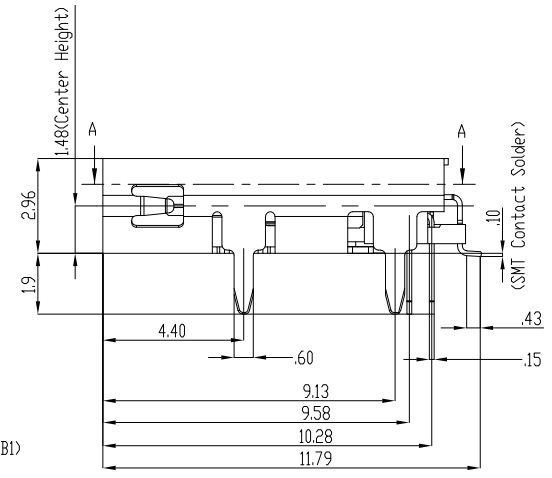
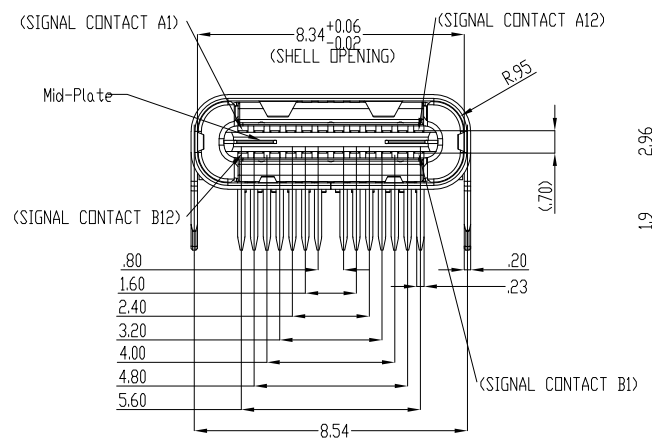
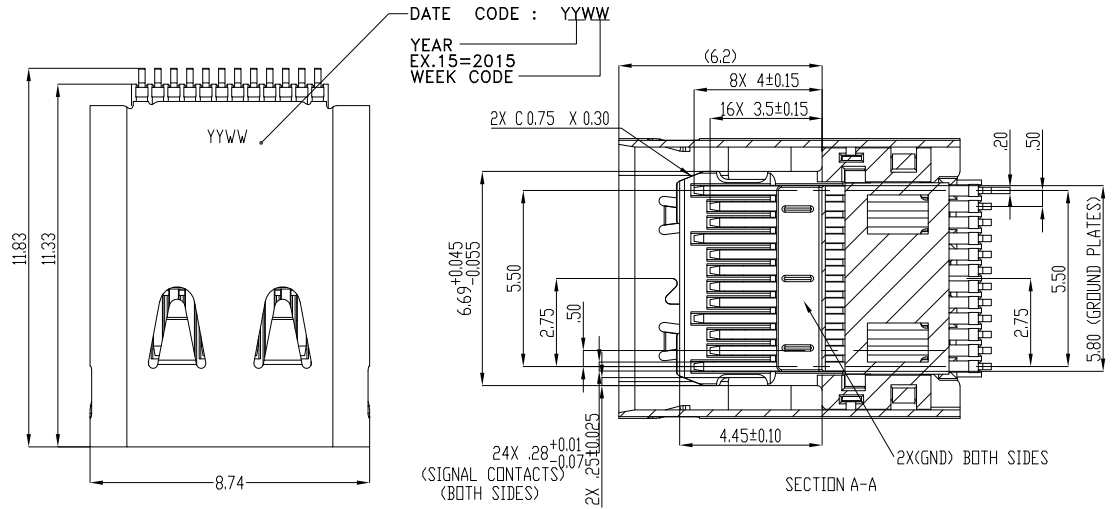
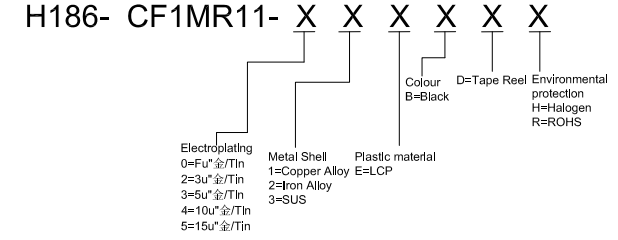


**SPECIFICATION**  
**MATERIAL**  
 Insulator: Thermoplastic,Black  
 Contacts: BRASS  
 Shell:Stainless Steel  
**CONTACT PLATING**  
 Underplate: 40u"~80u" Nickel  
 Contact area: 30u"Pd-Ni+2u" Selective gold,  
 Solder tails area: 100u"~200u" Tin (Lead Free)  
**ELECTRICAL**  
 Operation voltage: 20 V  
 Current rating: 5 Amps max.  
 Insulation resistance: 100 Mohms min @ 100 VDC  
 Dielectric withstanding voltage: 100 VAC / minute  
 Temperature range: -40°C TO +105°C  
 Mating cycles: 10,000 insertions

Part no.



<h1 style="text-align: center;">HULYN</h1> <p style="text-align: center;">深圳惠興力電子有限公司 SHEN ZHEN HUILY ELECTRONICS CO.,LTD.</p>		FILE NO : H186( Series)		TITLE 圖名		USB TYPE C Receptacle (W/O Rear Cover Type) (Insertion distance 6.20mm)		UNIT 單位	mm inch	
		TOLERANCE(公差): 0.000 mm ± 0.10 mm 0.00 mm ± 0.25 mm 0.0 mm ± 0.30 mm		PART NO. 料號		H186-CF1MR11-03EBDR		SCALE 比例	1:1	
A0	RELEASED	Peng	10/08-21	DRAWN BY 製圖		Peng	DATE 日期	2021-08-10	REV. 版本	A.0
REV	DESCRIPTION.	APPD.	Date	CHECKED BY 審核		Zhu	DATE 日期	2021-08-10		

3

2

1

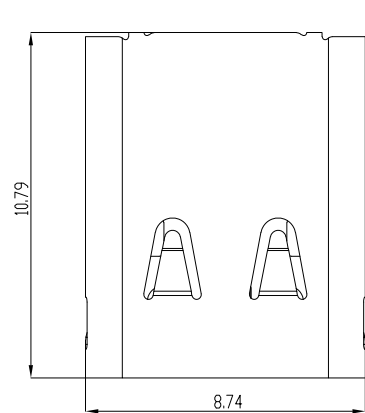
4

HTTP://www.huilyn.com

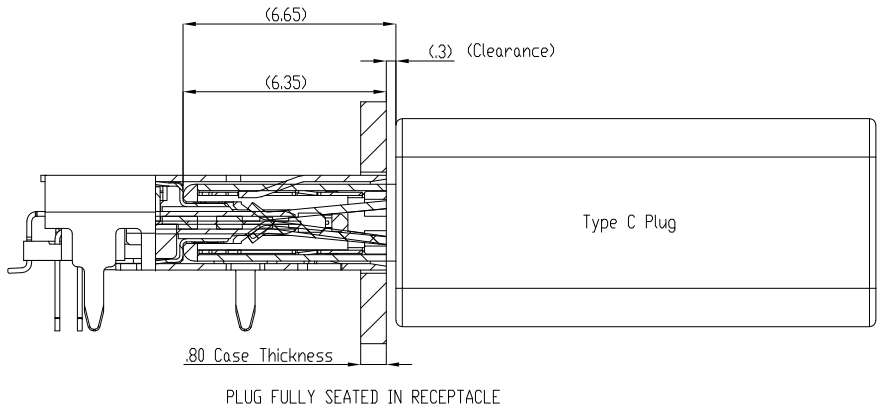
6

L K J I H

3

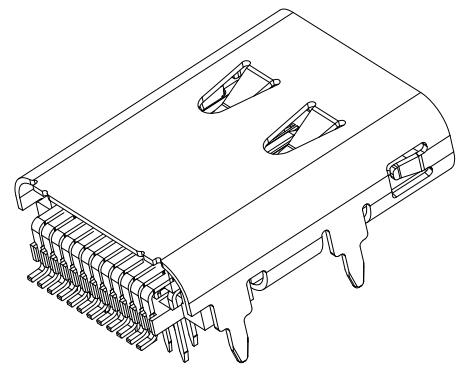
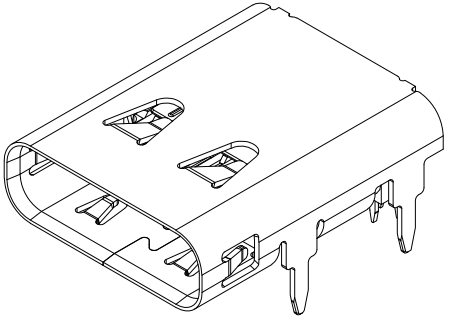


CDXDC logo



4

2

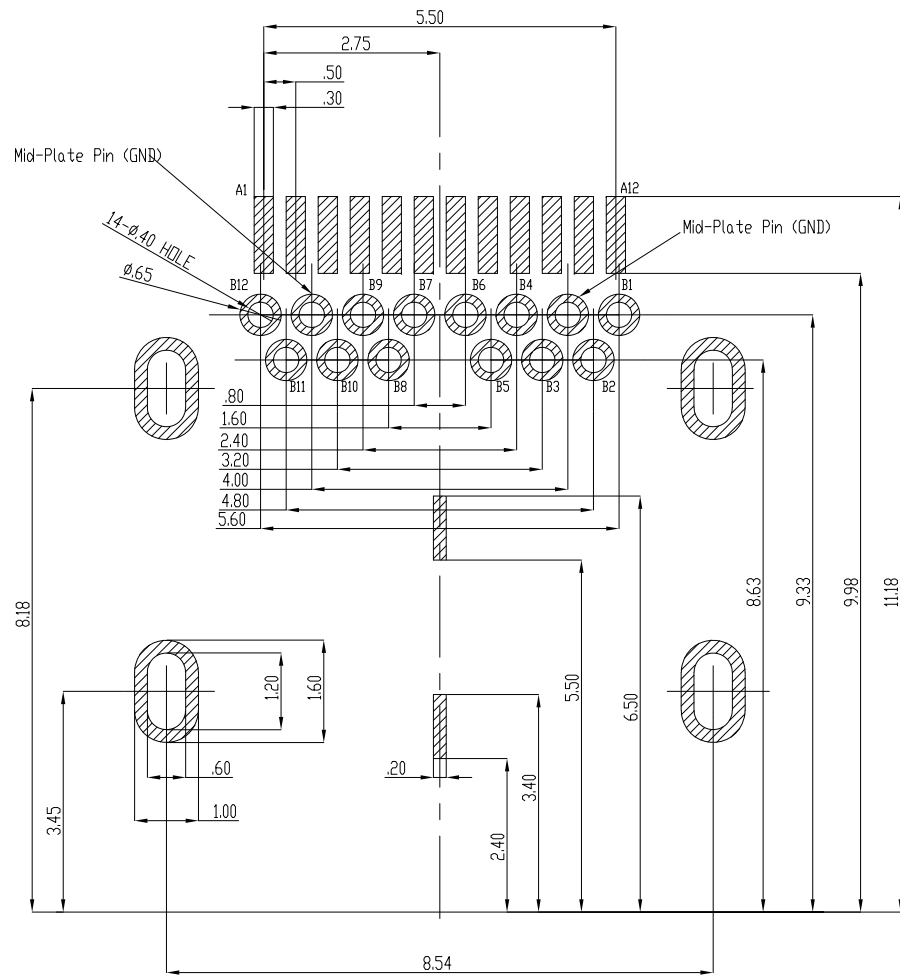


1

<h1>HULYN</h1>		深圳惠興力電子有限公司 SHEN ZHEN HUILY ELECTRONICS CO.,LTD.			
		FILE NO : H186( Series)	TITLE 圖名 USB TYPE C Receptacle (W/O Rear Cover Type) (Insertion distance 6.20mm)	UNIT 單位 mm inch	SCALE 比例 1:1
TOLERANCE(公差): 0.000 mm ± 0.10 mm 0.00 mm ± 0.25 mm 0.0 mm ± 0.30 mm		PART NO. 料號 H186-CF1MR11-03EBDR	DRAWN BY 製圖 Peng	DATE 日期 2021-08-10	REV. 版本 A.0
A0 REV	RELEASED DESCRIPTION.	APPD. Date	Peng Date	CHECKED BY 審核 Zhu	DATE 日期 2021-08-10

HTTP://www.huilyn.com

6



Recomanded PCB LAYOUT  
 TOLANCE ±0.05  
 PCB Tickness = 1.0 For 1.50 Solder tail  
 1.6 For 1.90 Solder tail

USB TYPE -C Pin Assignments

Pin Number	Signal Name	Pin Number	Signal Name
A1	GND	B12	GND
A2	SSTXp1	B11	SSRXp1
A3	SSTXn1	B10	SSRXn1
A4	VBUS	B9	VBUS
A5	CC1	B8	SBU2
A6	Dp1	B7	Dn2
A7	Dn1	B6	Dp2
A8	SBU1	B5	CC2
A9	VBUS	B4	VBUS
A10	SSRXn2	B3	SSTXn2
A11	SSRXp2	B2	SSTXp2
A12	GND	B1	GND

# HULYN

深圳惠興力電子有限公司  
 SHEN ZHEN HUILY ELECTRONICS CO.,LTD.

A0	RELEASED	Peng	10/08-21
REV	DESCRIPTION.	APPD.	Date

FILE NO : H186( Series)		TITLE 圖名		USB TYPE C Receptacle (W/O Rear Cover Type) (Insertion distance 6.20mm)		UNIT 單位	mm inch
TOLERANCE(公差): 0.000 mm ± 0.10 mm 0.00 mm ± 0.25 mm 0.0 mm ± 0.30 mm		PART NO. 料號		H186-CF1MR11-03EBDR		SCALE 比例	1:1
		DRAWN BY 製圖		Peng	DATE 日期	2021-08-10	REV. 版本
		CHECKED BY 審核		Zhu	DATE 日期	2021-08-10	A.0