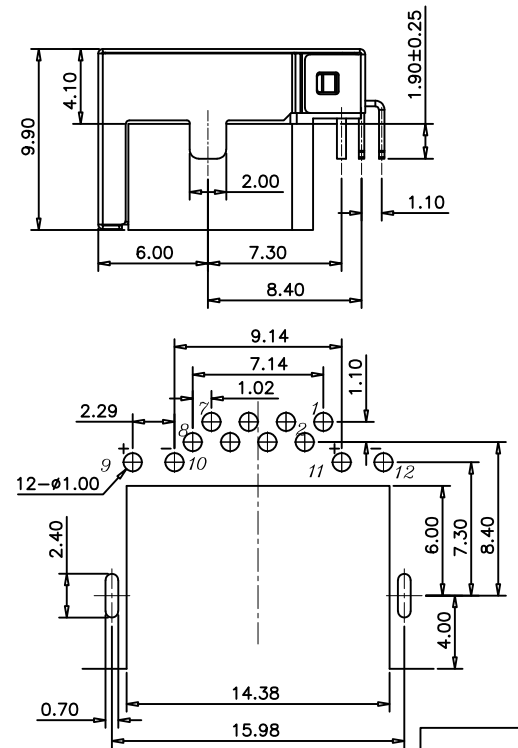
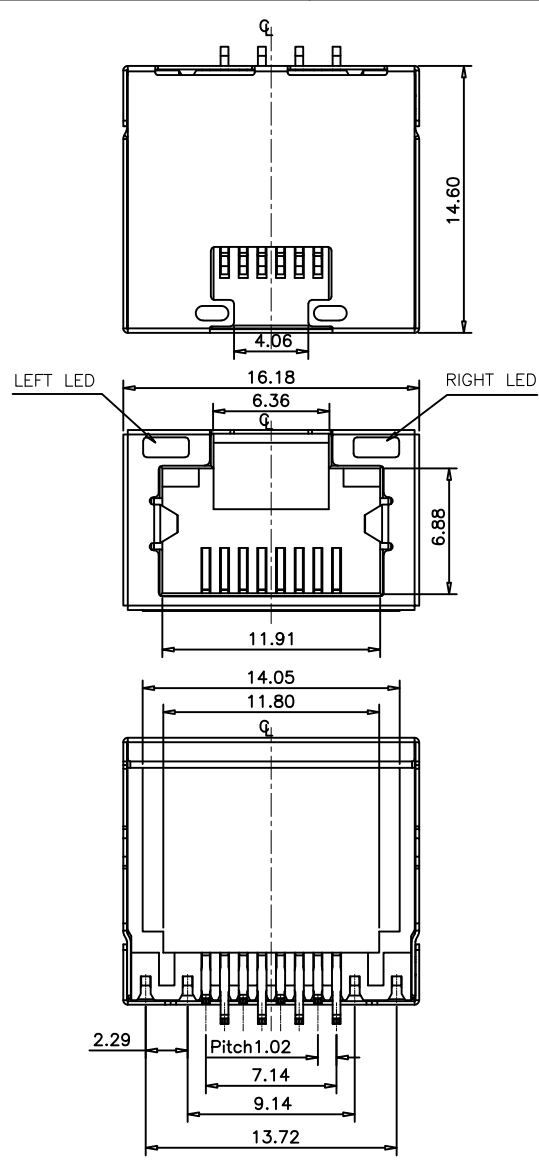


3

2

1



RECOMMENDED P.C.B LAYOUT TOP VIEW (COMPONENT SIDE)

NOTES:

MATERIAL

1.HOUSING MATERIAL: LCP BLACK UL94V-0

2.CONTACT MATERIAL: C5191 R-H,T=0.30mm

3.SHELL: BRASS R-H ,T=0.2mm

FINISH:

1.CONTACT PLATING: 50u" MIN. NICKEL PLATED UNDER ALLOVER
80u" MIN. TIN PLATED IN SOLDERING AREA
GOLD PLATED IN CONTACT AREA

2.SHELL PLATING: 30u" MIN NICKEL PLATED ALLOVER

ELECTRICAL:

1.VOLTAGE RATING: 125 VAC RMS

2.CURRENT RATING: 1.5 AMP

3.CONTACT RESISTANCE: 30 MILLIOHMS MAX

4.INSULATION RESISTANCE: 500 MEGOHMS MIN @ 500V DC

5.DIELECTRIC WITHSTANDING VOLTAGE : 500V AC R.M.S MIN

MECHANICAL:

1.DURRABILITY: 750 CYCLES MIN

2.PCB RETENTION PRE-SOLDER: 1 LB MIN.

LED ELECTRICAL CHARACTERISTIC



Standard LED	Wavelength	Forward V (Min/Max)	Forward A	Type
Green	568nm	1.8v/2.8v	20mA	squareness
Yellow	585nm	1.8v/2.8v	20mA	squareness

HULYN 深圳惠興力電子有限公司
SHEN ZHEN HUILY ELECTRONICS CO.,LTD.

FILE NO :HR6013S(Series)	TITLE 圖名	RJ45,Shielded,Receptacle, Horizontal,Single Port,Tht		UNIT 單位	mm inch	
TOLERANCE(公差): 0.000 mm ± 0.10 mm 0.00 mm ± 0.25 mm 0.0 mm ± 0.30 mm	PART NO. 料號	HR6013S-1188N15B-21-2R		SCALE 比例	1:1	
	DRAWN BY 製圖	Peng	DATE 日期	2022-03-31	REV. 版本	A.0
	CHECKED BY 審核	Zhu	DATE 日期	2022-03-31		

A0	RELEASED	Peng	31/03-22
REV	DESCRIPTION.	APPD.	Date

HTTP://www.huilyn.com

6

L K J I H

3

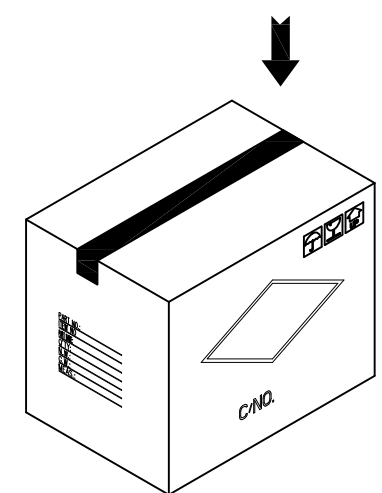
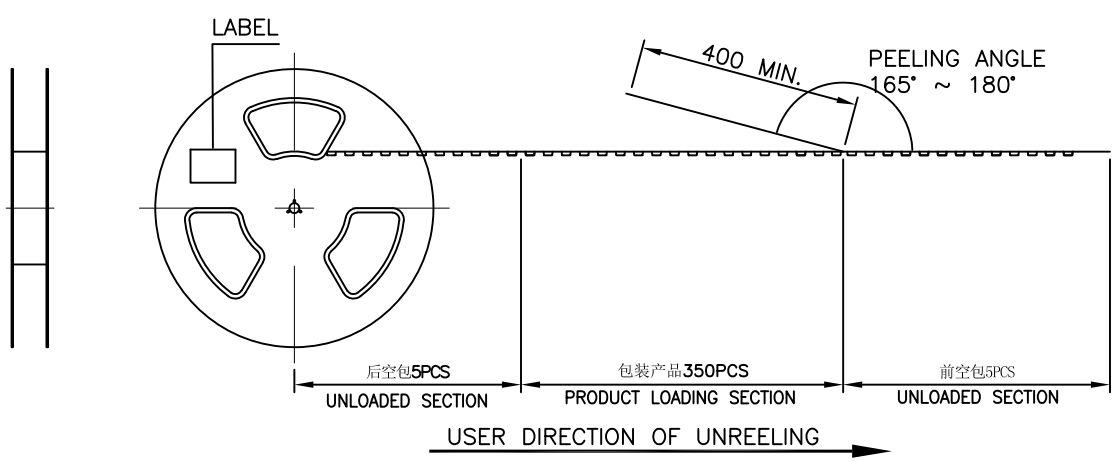
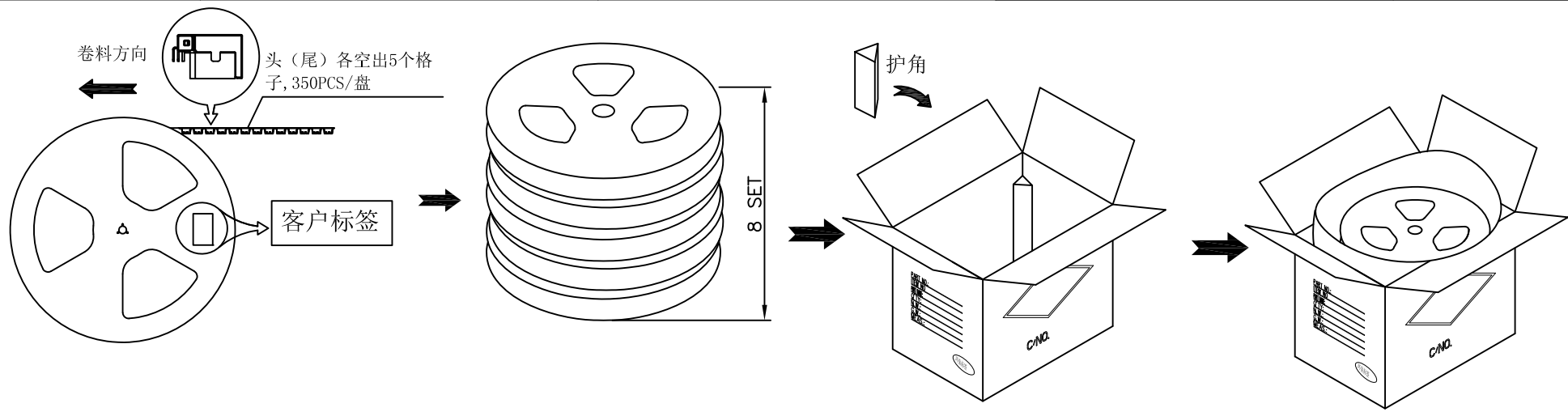
2

1

4

HTTP://www.huilyn.com

6



- NOTE:
1. 成品组装完成并QC完之后, 将其装入承载带内, 同时用封装胶带冷封
 2. 检查REEL 板状卷带是否有松动, 如有松动需要重新贴紧
 3. 全检OK后, 将REEL 盘装入PE 袋中
 4. 每个REEL 上必须贴上料号以及数量
 5. 产品放入REEL 时前带和后带各空5PCS不放产品
 6. 每盘装产品350PCS, 每箱装8盘, 每一外箱装产品2800PCS

<h1>HULYN</h1>		深圳惠興力電子有限公司 SHEN ZHEN HUILY ELECTRONICS CO.,LTD.				
		FILE NO :HR6013S(Series)	TITLE 圖名	RJ45,Shielded,Receptacle, Horizontal,Single Port,Tht		UNIT 單位
TOLERANCE(公差): 0.000 mm ± 0.10 mm 0.00 mm ± 0.25 mm 0.0 mm ± 0.30 mm		PART NO. 料號	HR6013S-1188N15B-21-2R		SCALE 比例	1:1
		DRAWN BY 製圖	Peng	DATE 日期	2022-03-31	REV. 版本
A0		RELEASED	Peng	31/03-22		
REV	DESCRIPTION.		APPD.	Date		

A0	RELEASED	Peng	31/03-22
REV	DESCRIPTION.	APPD.	Date